

Industrial stainless steel case gauges

Model 1008

According ASME B40.1

Nominal size 40 mm, 50 mm, 63 mm and 100 mm

Accuracy: Grade B (3-2-3 %), optional 1,0 % F.S.

Features

- Rugged construction
- Protection IP54 and IP65
- Overload protection 130 %
- Dry or liquid filled
- Measuring system brass or stainless steel

Ranges

-1 ... 0 bar up to 0 ... 1000 bar

-30 in. Hg ... 0 psi up to 0 ... 15.000 psi

Applications

Chemical and petrochemical industry

Machine and apparatus construction

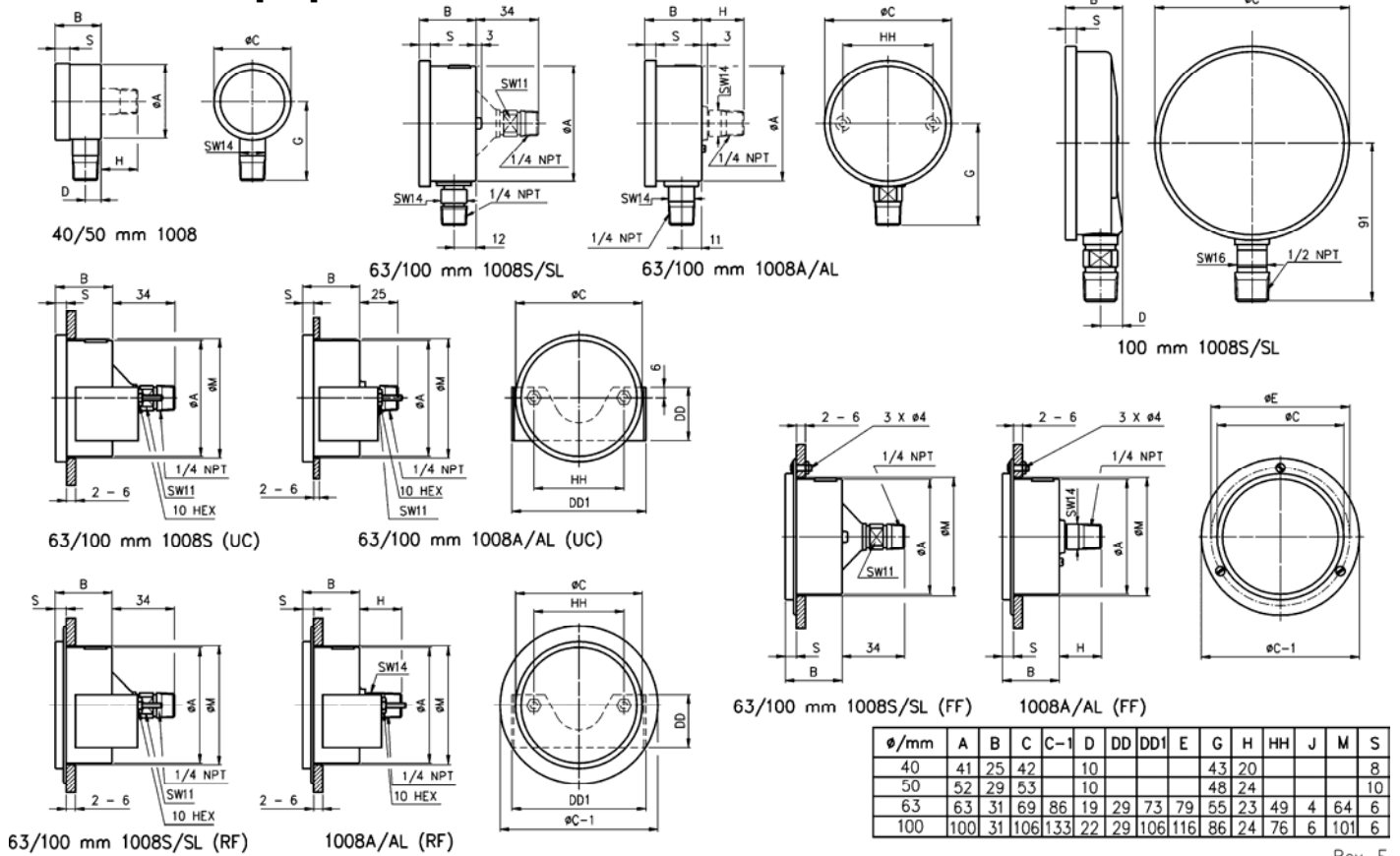
Food and beverage industry

Pulp and paper industry



Technical specification	1008												
	40	50	63	100									
Dial size [mm]													
Construction	Open front with push-in ring		Open front with crimped ring										
Measuring principle	Bourdon tube with conventional movement		Bourdon tube with power flex movement, welded (S) or soldered (A) socket to case										
Range [bar]	1	1,6	2,5	4	6	10	16	25	40	60	100	160	250
	-1/0	-1/1,5	-1/3	-1/5	-1/9	400 600 ¹⁾ 1000 ¹⁾ only stainless steel tubes							
Overpressure limit	130 % F.S., short time												
Pressure type	Gauge, vacuum and compound												
Process connection	1/8 NPT male (standard for 40 mm), 1/4 NPT male (standard for 50 mm) according ANSI/ASME B1.20.1 G 1/8 B male, G 1/4 B male											1/2 NPT male according ANSI/ASME B1.20.1 G 1/2 B male, only lower, Others on request	
Connection location	Lower, back												
Material													
Pressure connection	Stainless steel 316 (1.4401)						Brass, Stainless steel 316 (1.4401)						
Tube	Stainless steel 316 (1.4401)						Bronze, Stainless steel 316 (1.4401)						
Case/ring	Stainless steel 304 (1.4301)												
Window	Instrument glass												
Dial	Aluminum, black markings on white background												
Pointer	Aluminum, black												
Movement	Stainless steel series 300						Aluminum, black, friction adjustable						Stainless steel series 400
Accuracy	Grade B (3-2-3 % F.S.)						Grade B (3-2-3 % F.S.),						Grade B (3-2-3 % F.S.), optional 1,0 %
Permissible													
Ambient temperature	-25 ... 60 °C, liquid filled -45 ... 120 °C												
Medium temperature	Max. 120 °C												
Storage temperature	-40 ... 65 °C												
Effect	Max. 0,3 % / 10 K												
Protection according EN 60 529/IEC 529	IP54 (dry), IP65 (liquid filled), optional IP65 for dry gauges and field fillable												
Filling liquids	Glycerin, silicone, halocarbon, others on request Optional dampened movement (liquid less gauge), functions as liquid filled gauge (PLUS! gauge)												
Mounting	Stem, optional flush												
Weight dry/filled [kg]	0,08/0,1			0,12/0,17			0,11/0,21			0,18/0,42			
Accessories, options	Diaphragm seals, valves												

General dimensions [mm]



Rev. E

Order information

Size	System material	Execution	Process connection	Connection orientation	Range	Engineering units	Filling liquid	Options
(40) 40 mm	(A) Bronze tube, brass socket (max. 400 bar, not for dial size ≤ 50 mm)	(=) Standard IP54	(04) ½ NPT male (only for dial size 100 mm, lower)	(L) Lower	-1/ 0	(BAR)	(=) standard no filling	(NH) Tagging wired
(50) 50 mm	(L) liquid filled IP65		(01) 1/8 NPT male (standard for dial size 40 mm)	(B) Back	-1/ 1,5		(GV) Silicone	(TU) Throttle plug
(63) 63 mm	(S) 316 (1.4401)		(02) ¼ NPT male (standard for dial size 50 mm)		-1/ 3		(GR) Glycerin	(DA) Dial marking
(100) 100 mm			(13) G ¼ B male		-1/ 5		(GX) Halocarbon (not for dial size ≤ 50 mm)	(6B) Oxygen cleaned
			(15) G ½ B male (only for dial size 100 mm, lower)		-1/ 9			(UC) U-clamp
					0/ 1			(RF) Retrofit flange + U-clamp (not for dial size ≤ 50 mm)
					0/ 1,6			(FF) Front flange
					0/ 2,5			(LJ) Field fillable
					0/ 4			(LL) Liquid less gauges (only for dial size 63 mm and 100 mm, Halocarbon filling not allowed)
					0/ 6			
					0/ 10			
					0/ 16			
					0/ 25			
					0/ 40			
					0/ 60			
					0/ 100			
					0/ 160			
					0/ 250			
					0/ 400 ¹⁾			
					0/ 600 ^{1) 2)}			
					0/ 1000 ^{1) 2)}			
					¹⁾ not for dial size ≤ 50 mm			
					¹⁾ not for bronze tube	psi and others on request		

How to order

Size	Type	System material	Execution	Process connection	Connection orientation	Range	Engineering unit	Filling liquid	Option
63	1008	S	=	02	L	0/16	BAR	=	NH

Ashcroft Instruments GmbH

Germany
Max-Planck-Str. 1, D-52499 Baesweiler
P.O. Box 11 20, D-52490 Baesweiler
Tel.: +49 (0) 2401 808-0, Fax: +49 (0) 2401 808-125

France
„206“ ZA Le Mandinet Rue des Campanules
F-77185 Lognes
Tel.: +33 (0) 1 60 37 25 30, Fax: +33 (0) 1 60 37 25 39

Website: www.ashcrofteurope.com

e-Mail: sales@ashcrofteurope.com

United Kingdom

Unit 5 William James House
Cowley Road, Cambridge CB4 0WX
Tel.: +44 (0) 12 23 39 55 00, Fax: +44 (0) 12 23 39 55 01